

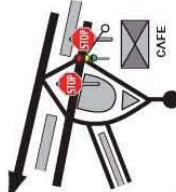
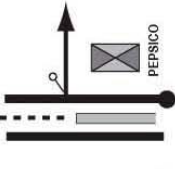
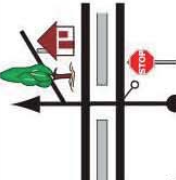
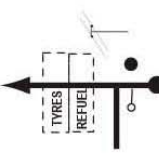
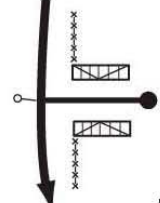



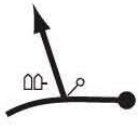


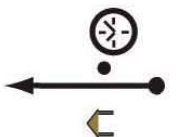


**SERVICE PARK TO THE SHAKEDOWN**

S.P. LOUTRAKI SHAKEDOWN		DISTANCE 6.05 Km	PAGE 2	
Total Km	Partial Km	DIRECTION	INFORMATION	Km to run
1.41	0.17			4.64
1.65	0.24			4.40
1.95	0.30			4.10
3.13	1.18			2.92
3.93	0.80			2.12

S.P. LOUTRAKI SHAKEDOWN		DISTANCE 6.05 Km	PAGE 1	
Total Km	Partial Km	DIRECTION	INFORMATION	Km to run
0.00	0.00		SERVICE PARK (LOUTRAKI)	6.05
0.16	0.16			5.89
0.68	0.52			5.37
0.81	0.13			5.24
1.24	0.43			4.81

CONTINUED

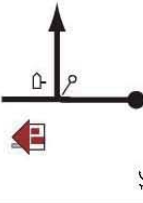

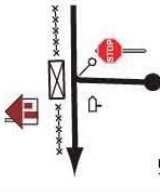


S.P. LOU TRAKI SHAKEDOWN		DISTANCE 6.05 Km	PAGE 3
Total Km	Partial Km	DIRECTION	INFORMATION
5.30	1.37		 0.75
5.91	0.61		GRAVEL N-37.57.807 E-23.00.425 Alt: 153
6.05	0.14		T.C. SHAKEDOWN 80 m. → START SHAKEDOWN
			0.00

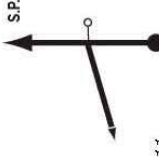
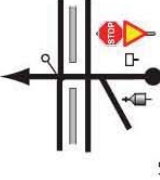

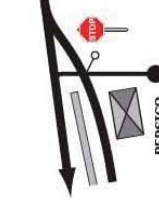


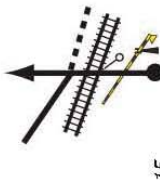
**SHAKEDOWN START TO THE SP**

SHAKEDOWN		DISTANCE	PAGE
S.P. LOUTRAKI		11.67 Km	2
S.S. 1		3.10 Km	
Total Km	Partial Km	DIRECTION	INFORMATION
2.71	1.50	6 0.39	8.96
2.76	0.05	7 0.34	8.91
3.10	0.34	8 0.00	8.57
3.29	0.19	9	8.38
5.82	2.53	10	5.85

SHAKEDOWN		DISTANCE	PAGE
S.P. LOUTRAKI		11.67 Km	1
S.S. 1		3.10 Km	
Total Km	Partial Km	DIRECTION	INFORMATION
0.00	0.00	1 3.10	11.67
0.63	0.63	2 2.47	11.04
0.96	0.33	3 2.14	10.71
1.02	0.06	4 2.08	10.65
1.21	0.19	5 1.89	10.46

CONTINUED

SHAKEDOWN		DISTANCE	PAGE	
S.P. LOUTRAKI		11.67 Km	4	
Shakedown		3.10 Km		
S.S. 1				
Total Km	Partial Km	DIRECTION	INFORMATION	km to run
10.46	0.25			1.21
11.06	0.60			0.61
11.67	0.61		SERVICE PARK Entrance (LOUTRAKI)	0.00

SHAKEDOWN		DISTANCE	PAGE	
S.P. LOUTRAKI		11.67 Km	3	
Shakedown		3.10 Km		
S.S. 1				
Total Km	Partial Km	DIRECTION	INFORMATION	km to run
6.59	0.77		LEFT to the SHAKEDOWN TC after 0.75 km	5.08
7.94	1.35			3.73
8.73	0.79			2.94
9.88	1.15			1.79
10.21	0.33			1.46